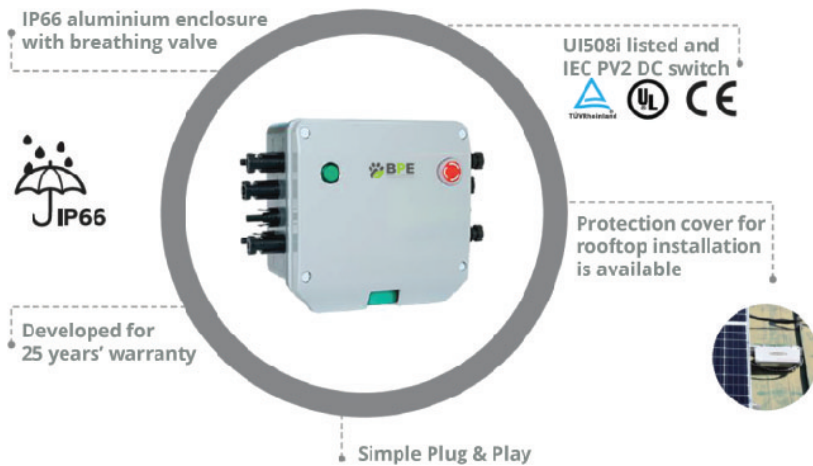




The BPE Firefighter Safety Switch is a safe DC disconnect solution for solar rooftop installations. The unit is available in either one, two, three, or four string configurations. This IP66 Firefighter Safety Switch is designed to safely disconnect the Solar PV system in the event of a fire or grid failure.

## Main Benefits

- » If a firefighter cuts off the AC power in the home, the switch will disconnect the DC power coming from the panels
- » Over-temperature protection (85°C)
- » IP66 aluminium enclosure
- » One, two, three and four string models available
- » Emergency button for rapid disconnect
- » Includes: AC connector, wall fixings and MC4 connectors



Model	BPE-FFSS-S1/S2/S3/S4			
Max DC voltage IEC	1500V			
Max DC current IEC	50A			
Models	BPE-FFSS-S1	BPE-FFSS-S2	BPE-FFSS-S3	BPE-FFSS-S4
Number of Strings	1 String	2 Strings	3 Strings	4 Strings
Operating Voltage	90Vac - 260Vac			
Nominal Voltage	230Vac			
Nominal Current	30mA			
Start up Current	Average 100mA			
Switch on Action Current	Max 300mA			
Protection Degree	IP66			
Storage Temperature	-40°C - 85°C			
Max. Temperature Before Switch OFF	+ 85°C			
Protection Level	Class II			
No. of Operations Without Current	9700			
No. of Operations Under Load with Current	300			

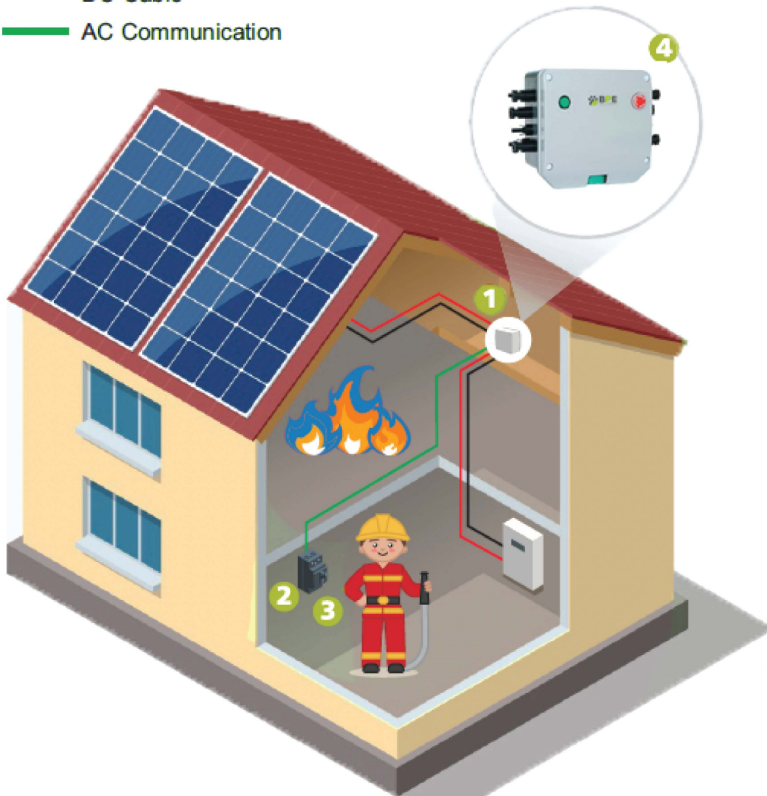


Follow BPE for latest updates!

[hello@badgerpowerelectronics.com](mailto:hello@badgerpowerelectronics.com)



- DC Cable +
- DC Cable -
- AC Communication



### 1 Over-temperature Protection Automatic Shutdown

When a temperature of over 85°C is detected, the firefighter switch disconnects and isolates the Solar PV.

### 2 Manual AC Power Shutdown

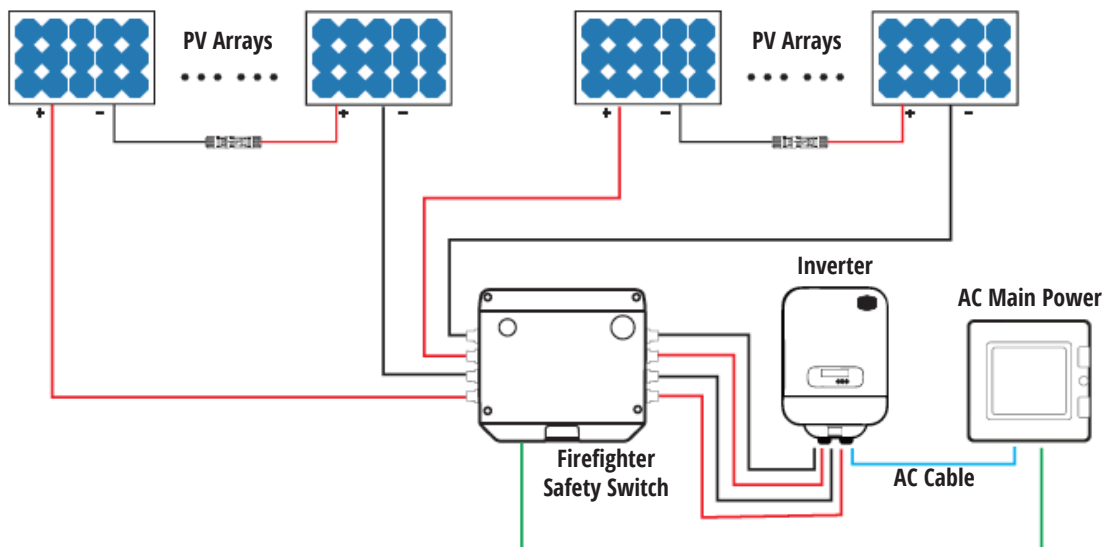
A firefighter can easily isolate the AC mains supply to isolate the Solar PV array. This eliminates the need for having to access the roof to disconnect the Solar PV in the event of an emergency.

### 3 AC Power Loss Triggers Automatic DC Power Disconnection

When there is any AC power loss detected, the safety switch will automatically switch to OFF and isolate the Solar PV system to make it safe for firefighters.

### 4 Manual DC Disconnection

If the Firefighter Safety Switch is installed on the rooftop, a firefighter on the rooftop can easily press the emergency switch on the box. This instantly disconnects the DC power and makes the area safe.



Follow BPE for latest updates!



[hello@badgerpowerelectronics.com](mailto:hello@badgerpowerelectronics.com)